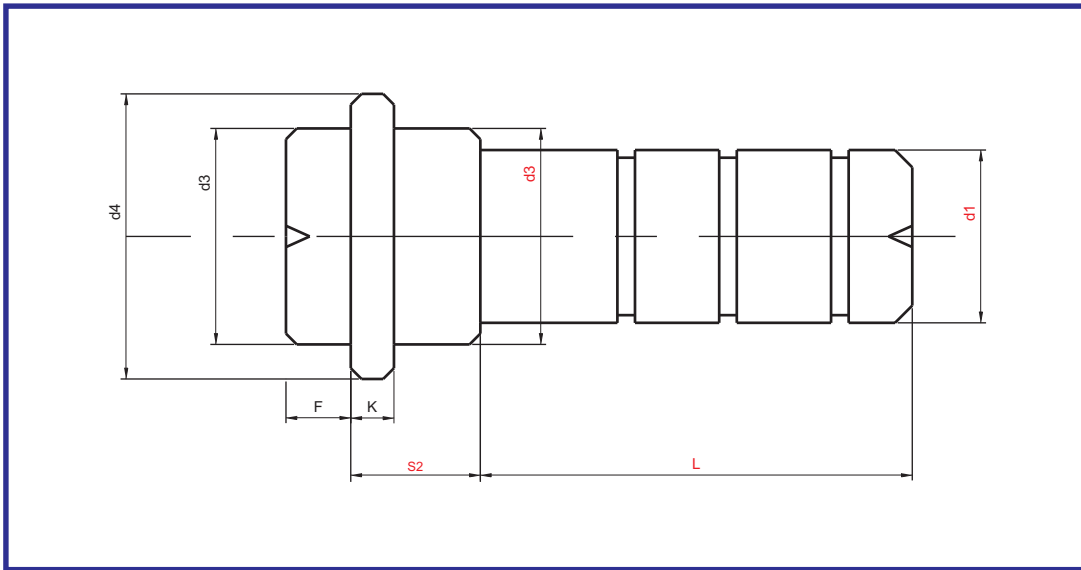


# Mould Accessories



## ▶ Guide Pin (PGPA)

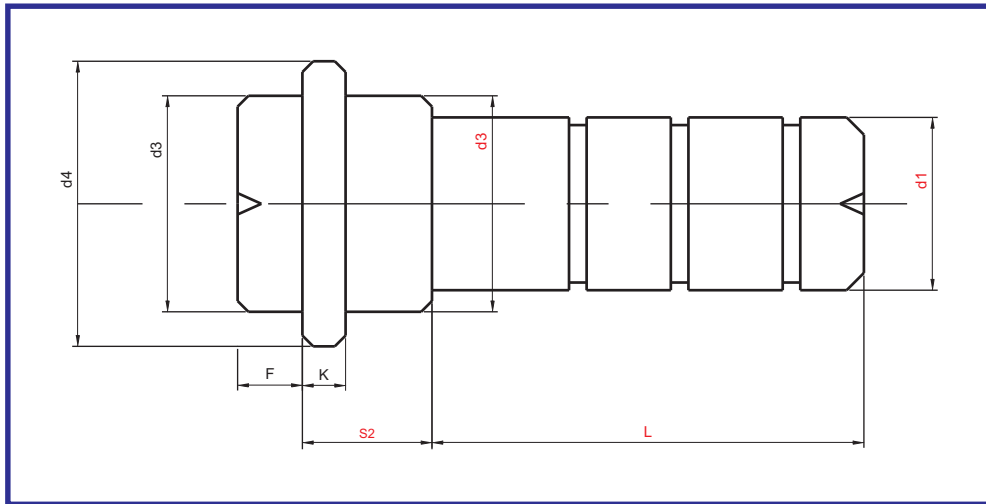


**Material:** 20 Mn Cr5 / En 353  
**Hardness:** 55 to 58 HRC

**Order Type:** PGPA d1-d3-S2-L  
**Example :** PGPA 9-14-36-45

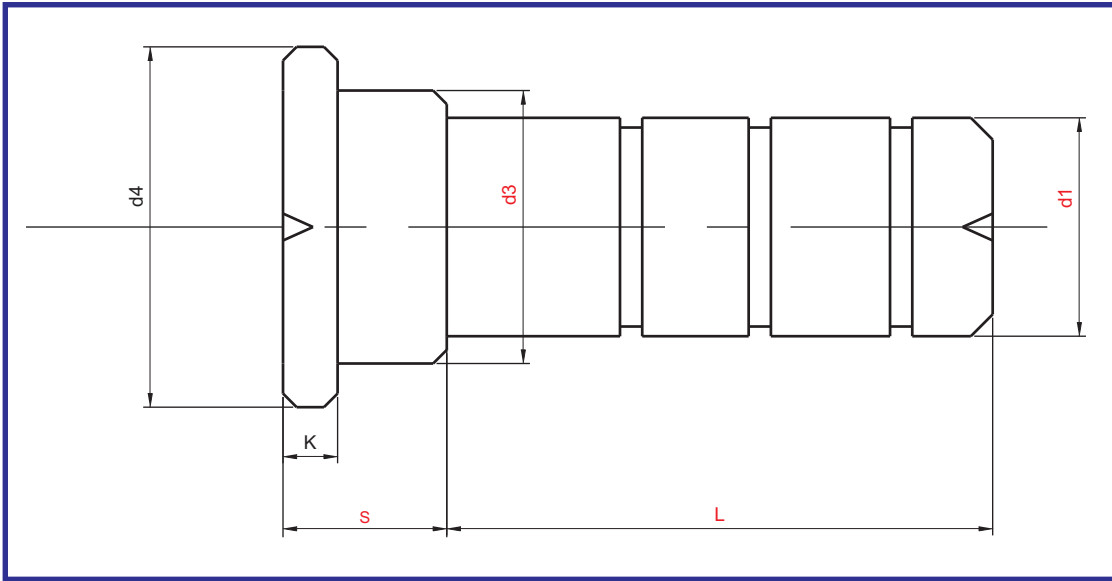
d1	F	K	d3	d4	S2	L1	L											
9	3	3	14	16	12	4	25	45	65									
							17	30	50	70								
							22	25	35	55	75	95						
							27	20	30	50	70	90						
							36	25	45	65	85							
							46	30	45	70								
							56	35	60									
14	9	6	20	25	17	7	35	55	75	95								
							22	30	50	70	90	110	125	150				
							27	30	45	65	85	105	125	145	165			
							36	35	55	75	95	125	155					
							46	35	45	65	85	105	125	145				
							56	35	55	75	95	135						
							66	55	65	95	125							
							76	55	95									
							86	55	95									
96	55	95																
18	9	6	26	31	116	7	75	55	75	120								
					22		35	45	65	85	115							
					27		35	45	65	85	105	125	165	225	245			
					36		35	55	75	95	115	135	165	225	255			
					46		35	45	65	85	105	135	165	245				
					56		35	55	75	95	155							
					66		35	55	75	95	145							
					76		55	75	95	135								
					86		55	75	95	125								
					96		55	95										

## ► Guide Pin (PGPA)



d1	F	K	d3	d4	S2	L1	L										
					116 136		75 135	115									
22	9	6	30	35	17 22 27 36 46 56 66 76 86 96 116 136 156	7	35 35 35 35 35 35 55 55 55 55 75 95 95	55 55 45 55 45 55 55 75 75 75 115 135 155	75 75 65 75 65 75 75 95 95 95 155	105 130	130 105 115 105 115 125 165	125 165 135 165 165 205 205	165 165 205 205	205 205	245 245	285 285	
30	9	6	42	47	27 36 46 56 66 76 86 96 116 136 156 196	7	45 55 45 45 55 55 55 75 95 155 115 155	65 75 65 75 75 75 75 95 115 115 155 195	105 95 85 95 95 95 95 115 115 155 155	165 115 105 115 115 115 115 115 155 155	185 155 125 135 135 155 155 155 205	245 245 165 175 175 225 225 205	285 285 245 245 245 245	285 295 295			
40	12	10	54	60	46 56 66 76 86 96 116 136 156 196 246	7	95 75 75 75 75 75 95 95 115 155 165	165 115 135 115 135 115 135 135 155 195 245	155 175	195							

## ▶ Guide Pin (PGPB)

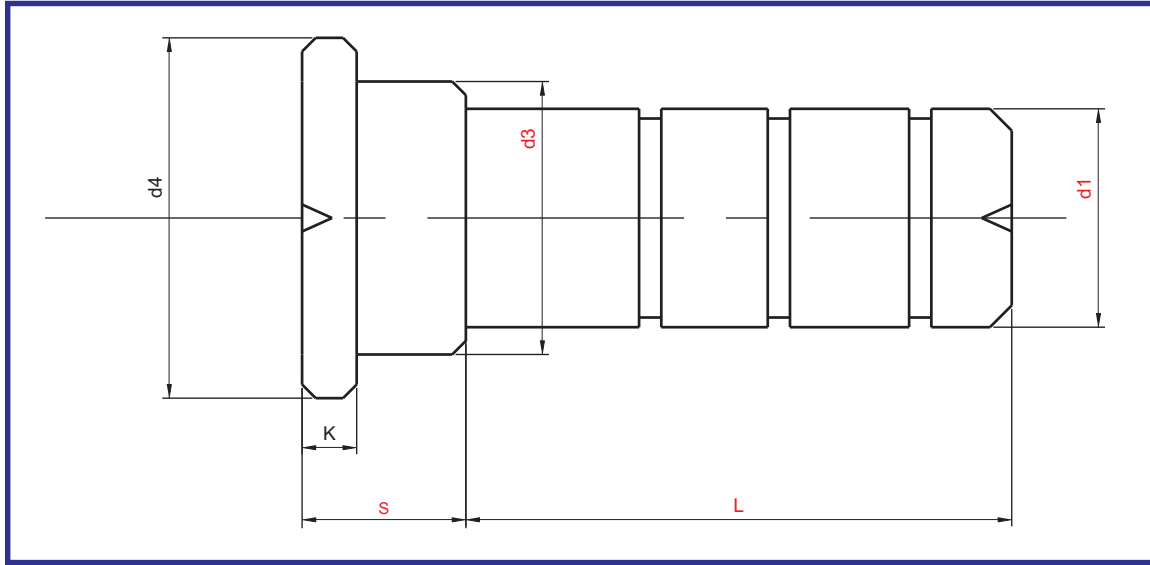


**Material:** 20 Mn Cr5 / En 353  
**Hardness:** 55 to 58 HRC

**Order Type:** PGPB d1-d3-S2-L  
**Example :** PGPB 9-14-36-45

d1	K	d3	d4	S2	L1	L																												
9	3	14	16	17	4	20	30	55																										
				22		35																												
				27		50																												
				36		45																												
				46		45																												
				30		45																												
14	6	20	25	22	7	20	35	40	45	50	55	65	70	90																				
				27		35	40	45	55	65	85	105																						
				36		20	35	40	45	55	65	75	95																					
				46		20	35	45	65	85	105																							
				56		20	35	55	75	95																								
				66		55	65	95																										
				76		55	95																											
				86		55	95																											
				18		6	26	31	22	7	20	35	40	45								50	55	60	65	70	80	85	115					
									27		20	35	40	45								50	55	60	65	70	80	85	105					
36	20	35	40		45				50		55	60	65	70	75	80	95	115	135															
46	20	45	65		85				105		135	165																						
56	20	35	55		75				95																									
66	55	75	95																															
76	55	75	95																															
86	55	75	95																															
96	55	95																																
116	55	95																																
22	6	30	35	27	7	25	45	50	60	65	70	80	85	105	125	165																		
				36		25	45	50	55	60	70	75	80	95	115	135																		
				46		25	45	50	60	65	70	80	85	105	125	165																		
				56		25	45	55	75	95	115	165																						
				66		55	75	95																										
				115		55	75	95																										

## ▶ Guide Pin (PGPB)

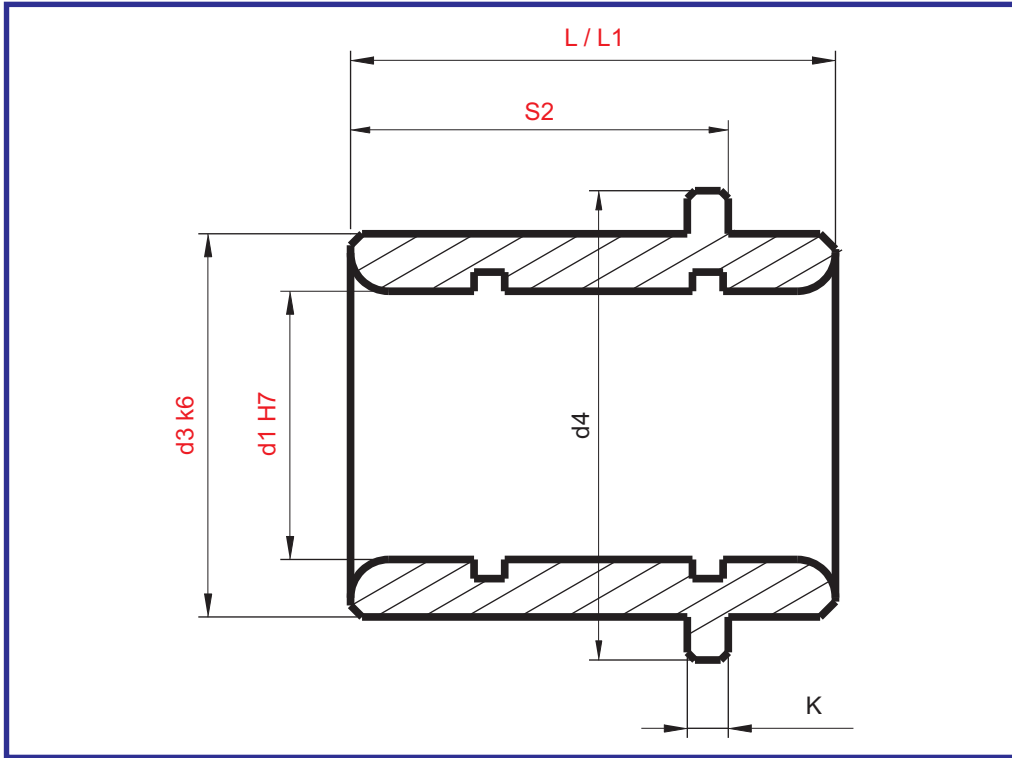


**Material:** 20 Mn Cr5 / En 353  
**Hardness:** 55 to 58 HRC

**Order Type:** PGPB d1-d3-S2-L  
**Example :** PGPB 9-14-36-45

d1	K	d3	d4	S2	L1	L													
				76		25	45	55	75	95									
				86		55	75	95											
				96		55	75	95											
				116		75	115	155											
				136		135													
30	6	42	47	27	7	45	65	105	165										
				36		55	75	95	115	155									
				46		45	65	85	105	125	165								
				56		55	75	95	115	135	175								
				66		55	75	95	115	135	175								
				76		55	75	95	115	155									
				86		55	75	95	115	155									
				96		55	75	95	115	155									
				116		75	115	155											
				136		95	115	155											
				156		115	136												
				196		155	195												
40	10	54	60	56	7	75	115	155	195										
				66		75	135												
				76		75	115	175											
				86		75	135												
				96		75	115	155											
				116		95	135	195											
				136		95	135	215											
				156		115	155	215											
				196		155	195	235											
50	10	66	72	96	10	115													
				116		135													
				136		135													
				156		155													
				196		175													
60	20	80	86	96	10	115													
				116		135													
				136		135													
				156		155													
				196		175													
				246		195													

## ► Guide Bush (PGBA)



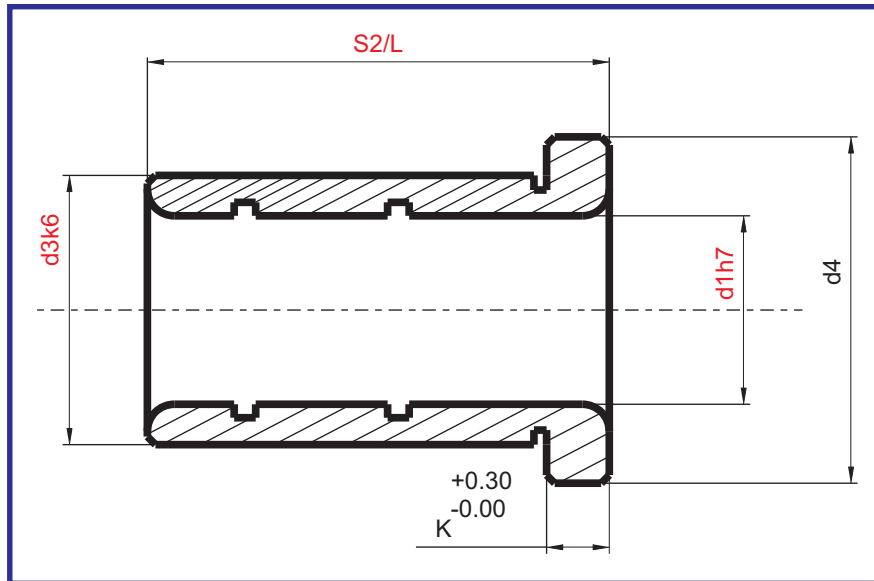
**Material:** 20 Mn Cr5 / En 353  
**Hardness:** 55 to 58 HRC

**Order Type:** PGBA d1-d3-S2-L  
**Example :** PGBA 22-30-46-75

L	L1	f	K	d3	d4	S2	d1	
15		3	3	14	16	12	9	
20						17		
25						22		
30						27		
39						36		
46						46		
	49	9	6	20	25	56	14	
	59					66		
	69					17		
26						22		
31						27		
36						36		
45		46						
55		56	9	6	26	31	66	18
	65	76						
	75	86						
	85	96						
	95	116						
	105	17						
26		22	9	6	26	31	27	18
31		36						
36		46						
45		56						
55		66						
65		76						
75		86	9	6	26	31	96	18
	85	116						
	95	136						
	105	156						
	125	196						
	145	246						

L	L1	f	K	d3	d4	S2	d1						
26		9	6	30	35	17	22						
31						22							
36						27							
45						36							
55						46							
65						56							
75		66	9	6	42	47	76	30					
85		86											
95		96											
105		116											
125		136											
146		156											
165		17	9	6	26	31	27	18					
36		36											
45		46											
55		56											
65		66											
75		76											
85		86	12	10	54	60	96	40					
95		116											
105		136											
125		156											
146		196											
165		246											
205		46	12	10	54	60	56	40					
58		66											
68		76											
78		86											
88		96											
98		116											
108		136	12	10	54	60	156	40					
128		196											
148		246											
168		46					12		10	54	60	56	40
208		66											
258		76											
		86											
		96											
		116											

## ► Guide Bush (PGBB)



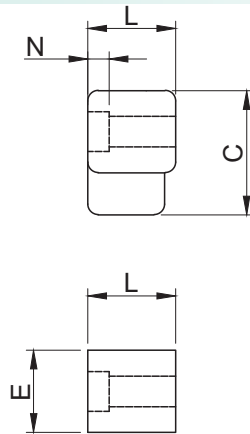
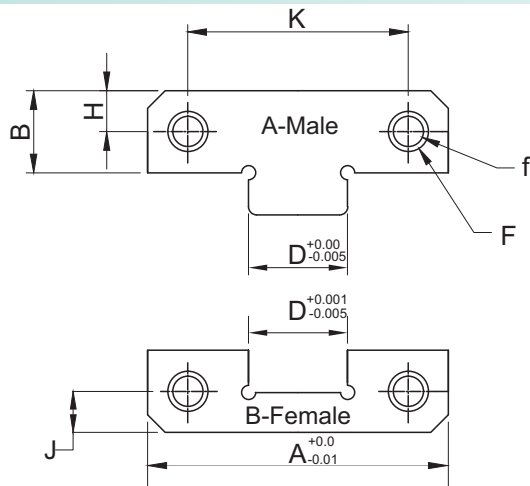
**Material:** 20 Mn Cr5 / En 353  
**Hardness:** 55 to 58 HRC

**Order Type:** PGBB d1-d3-S2-L  
**Example :** PGBB 22-30-46-75

L	d3	d4	K	S2	d1				
9	14	16	3	9	9				
12									
17									
22									
27									
36									
46									
17	18	23	6	17	12				
22									
27									
36									
46									
12	20	25	6	12	14				
17									
22									
27									
36									
46									
56									
17				22		27	6	17	16
22									
27									
36									
46									
56									
17	26	31	6	17	18				
22									
27									
36									
46									
56									
66									
76									
86									
96									
116									

L	d3	d4	K	S2	d1				
17	30	35	6	17	22				
22									
27									
36									
46									
56									
66									
76									
86									
96									
17	42	47	6	17	30				
27									
36									
46									
56									
66									
76									
86									
96									
116									
46	54	60	10	46	40				
56									
66									
76									
86									
96									
116									
136									
136				66		72	10	136	50
76									
96									
116									
136									
196									
96	80	86	20	96	60				
116									
136									
136									
156									
246									

## ► Straight Block Set (PMSB)

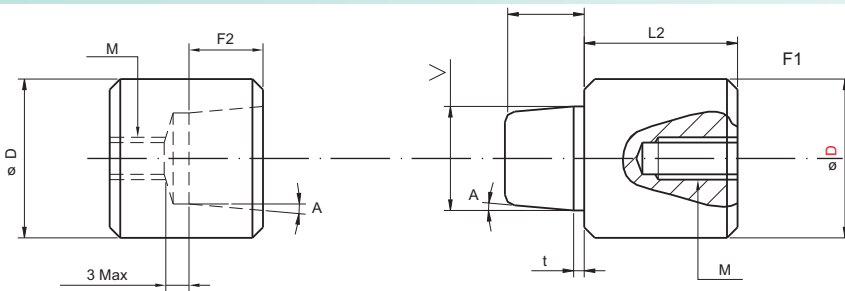


Material :- Tool Steel

Order Type :- Code | Example :- PMSB 50

Code	A	B	C	D	E	F	f	J	H	K	L	M	N
PMSB 38	38	22	30	12	22	10.5	6.5	7	7	22	13	5	8
PMSB 50	50	21.5	30	17	21.5	10.5	6.5	11	11	34	16	5	8
PMSB 75	75	36	50	25	36	16.5	10.5	18	18	50	19	8	12
PMSB 100	100	45	65	35	45	16.5	10.5	22	22	70	19	10	12
PMSB 125	125	45	65	45	45	16.5	10.5	22	22	84	25	10	12

## ► Taper Interlock (PPTI)



Material :- Tool Steel  
Hardness :- 56-60 HRC

Code	D	A	V	L	L1	L2	F1	F2	F3	M
	k6	deg	mm	mm	mm	mm	mm	mm	mm	
PPTI	13	5°	8.5	30	14	14	6	5	10	M4
	16		10	30	14	14	6	5	10	M5
	20		13	40	19	19	9	8	12	M6
	25		16	50	24	24	12	11	16	M8
	30		20	60	29	29	15	14	20	M10
	32		20	60	29	29	15	14	20	M10
	35		24	70	34	34	18	17	24	M12
	42		30	80	39	39	24	23	24	M12

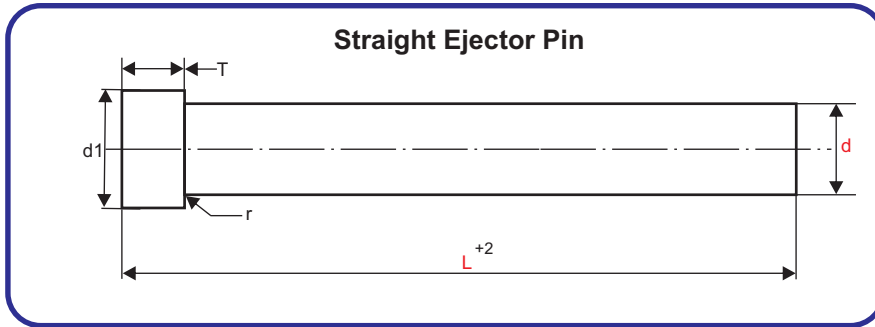
Order Type :- Code X Dia (D) X Length (L) | Example :- PPTI X 25 X 50





## ► Ejector Pin JIS Std (PEPJ)

### Reference Standard - JIS STD



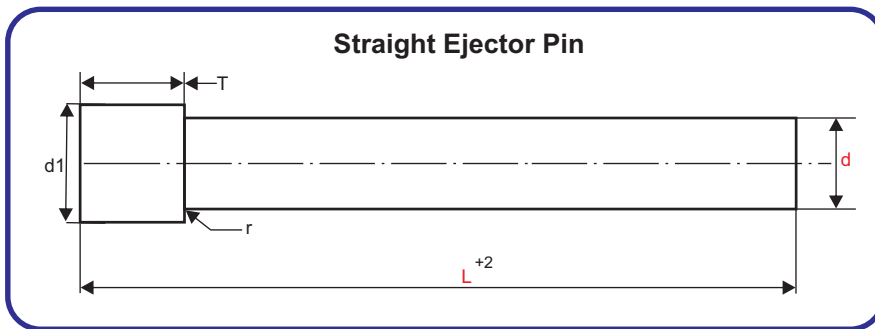
**Material :-** Hot Die Steel (H13).  
**Hardness :-**  
 45 - 47 HRC (Core),  
 67 - 68 HRC (Surface)  
**Surface Treatment :-** Head Annealed ,  
 Blackodised , Nitrieded

d	d1	T	L										
4	8	6	100	150	200	250	300	350	400				
5	9		100	150	200	250	300	350	400				
6	10		100	150	200	250	300	350	400	500			
8	13	8	100	150	200	250	300	350	400	500	600		
10	15		100	150	200	250	300	350	400	500	600	700	800
12	17		100	150	200	250	300	350	400	500	600	700	800
15	20		100	150	200	250	300	350	400	500	600	700	800
16	21		100	150	200	250	300	350	400	500	600	700	800
20	25		100	150	200	250	300	350	400	500	600	700	800
25	30		100	150	200	250	300	350	400	500	600	700	800

**Order Type :-** Code X Dia (d) X Length (L)

**Example :-** PEPJ X Dia 8 X 250

## ► Ejector Pins - Heavy Load (PEPH)



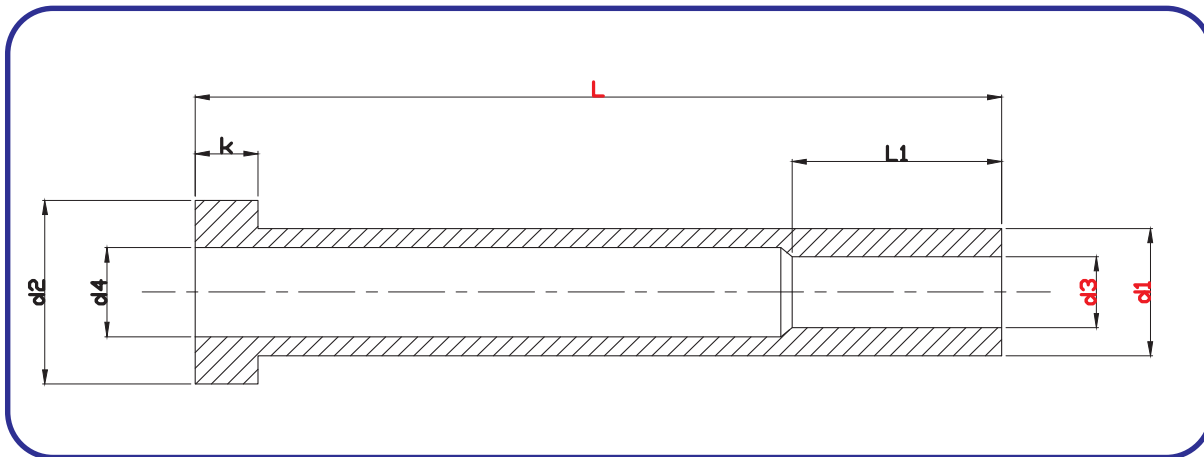
**Material :-** Hot Die Steel (H13).  
**Hardness :-**  
 Hot Die Steel - 45 - 47 HRC (Core),  
 66 - 68 HRC (Surface)  
**Surface Treatment :-** Head Annealed ,  
 Blackodised , Nitrieded

d	d1	T	L										
6	10	10	100	150	200	250	300	350	400	500			
8	13		100	150	200	250	300	350	400	500	600		
10	15		100	150	200	250	300	350	400	500	600	700	800
12	17		100	150	200	250	300	350	400	500	600	700	800
15	20		100	150	200	250	300	350	400	500	600	700	800
16	21		100	150	200	250	300	350	400	500	600	700	800
20	25		100	150	200	250	300	350	400	500	600	700	800
25	30		100	150	200	250	300	350	400	500	600	700	800

**Order Type :-** Code (Material) Dia (d) X Length (L)

**Example :-** PEPH (HDS) Dia 8 X 250

## ► Ejector Sleeves Pin JIS Std (PPES)



**Material :-** Silver Steel (SS), Hot Die Steel (HDS)

**Hardness :-** Silver Steel 48 – 52 HRC Hot Die Steel - 45 - 47 HRC (Core), 66 - 68 HRC (Surface)

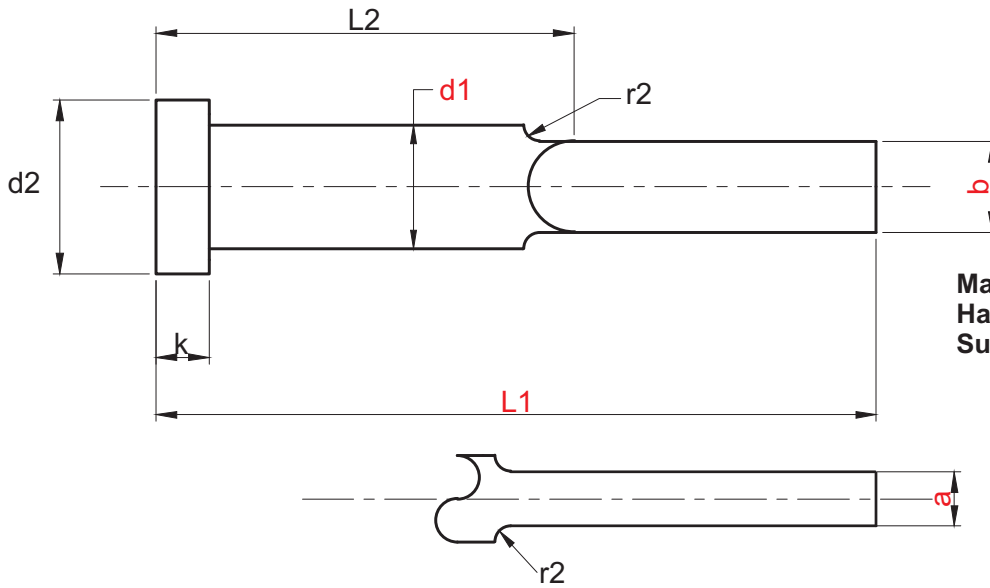
**Surface Treatment :-** Blackodised , Nitrieded

d1 g6	d3 h7	d2 -0.1	K -0.05	d4 -0.2	L1	R	L (+1)										
							60	75	100	125	150	175	200	225	250	275	300
3	1.5 1.6	6	3	1.8 2	25	0.3	.	.	.	.	.	.	.	.	.	.	.
4	2 2.2	8	3	2.4 2.5	35	0.3	.	.	.	.	.	.	.	.	.	.	.
5	2.5 2.7 3 3.2	10	3	3 3 3.5 3.5	45	0.3	.	.	.	.	.	.	.	.	.	.	.
6	3.5 3.7 4	12	5	4 4 4.5	45	0.5	.	.	.	.	.	.	.	.	.	.	.
8	4.2 5 5.2	14	5	5 5.5 5.5	45	0.5	.	.	.	.	.	.	.	.	.	.	.
10	6 6.2	16	5	6.5 6.5	45	0.5	.	.	.	.	.	.	.	.	.	.	.
12	8 8.2	20	7	8.5 8.5	45	0.8	.	.	.	.	.	.	.	.	.	.	.
14	10	22	7	10.5	45	0.8	.	.	.	.	.	.	.	.	.	.	.
16	12	22	7	12.5	50	0.8	.	.	.	.	.	.	.	.	.	.	.

**Order Type :-** Code (Material) X d1 X d3 X Length (L)

**Example :-** PPES (HDS) X 8 X 5 X 250

## ► Blade Ejector Pin (PPEB)

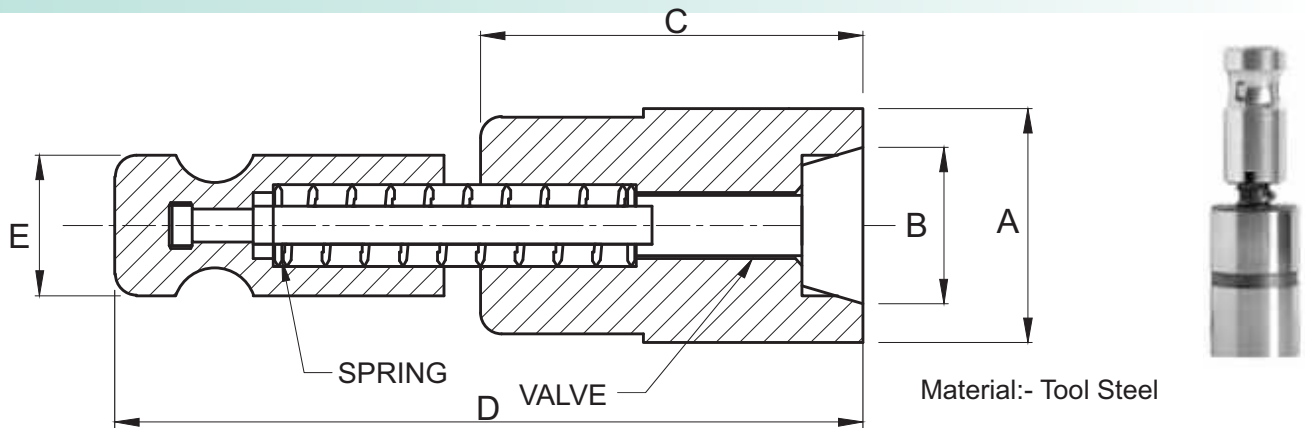


**Material :-** EN31/Hot Die Steel (H13)  
**Hardness :-** 48-52HRC  
**Surface Treatment :-** Blackodised

CODE	a (-0.015)	b (-0.015)	d1 (-0.2)	d2 (-0.2)	k (-0.05)	r1	r2	L1											
								L2											
								60	80	100	125	160	200	250	315	400			
								30	40	50	63	80	100	125	160	200			
PPEB	1	3.5	4	8	3	0.3	5	*	*	*									
	1	3.8	4.2	8	3	0.3	5	*	*	*	*	*							
	1.2	3.8	4.2	8	3	0.3	5		*	*	*	*							
	1	4.5	5	10	3	0.3	5		*	*	*	*							
	1.2	4.5	5	10	3	0.3	5		*	*	*	*							
	1.5	4.5	5	10	3	0.3	5		*	*	*	*							
	1	5.5	6	12	5	0.5	5		*	*	*	*							
	1.2	5.5	6	12	5	0.5	5		*	*	*	*							
	1.5	5.5	6	12	5	0.5	5			*	*	*	*						
	2	5.5	6	12	5	0.5	5				*	*	*						
	1.2	7.5	8	14	5	0.5	5				*	*	*	*					
	1.5	7.5	8	14	5	0.5	5				*	*	*	*					
	2	7.5	8	14	5	0.5	5					*	*	*	*				
	1.5	9.5	10	16	5	0.5	5					*	*	*	*				
	2	9.5	10	16	5	0.5	5						*	*	*	*	*		
	2	11.5	12	20	7	0.8	5							*	*	*	*	*	
	2.5	11.5	12	20	7	0.8	10								*	*	*	*	*
	2	15.5	16	22	7	0.8	10								*	*	*	*	*
2.5	15.5	16	22	7	0.8	10								*	*	*	*	*	

**Order Type :-** Code X a X b X d1 X L1  
**Example :-** PPEB X 2 X 5.5 X 6 X 100

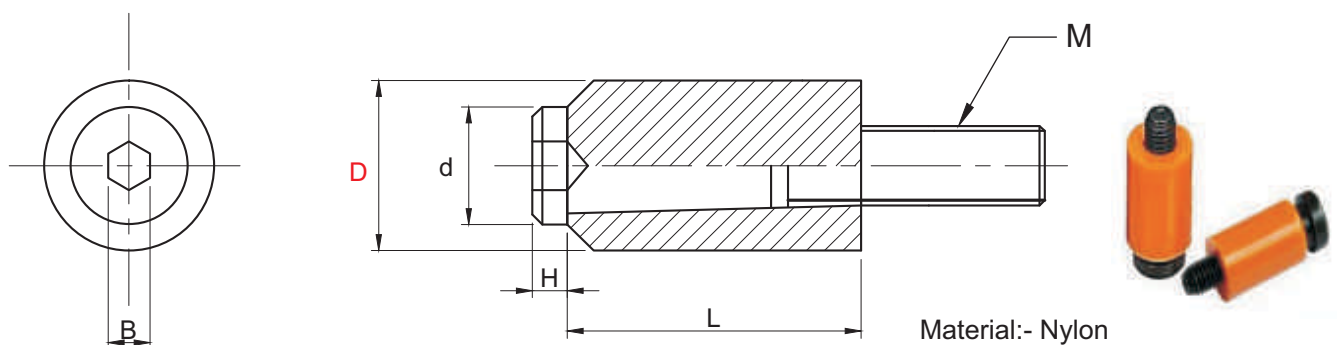
## ► Air Ejector (PPEA-A)



Code	Diameter A	Diameter B (approx)	C Body Length	D Overall Length	Diameter E
PPEA-A01	8	6.6	11	24	6
PPEA-A02	10	7.5	11	24	6
PPEA-A03	12	9.7	18	34	8
PPEA-A04	16	13	20	38	8
PPEA-A05	18	14.9	22	46	12
PPEA-A06	20	16	26	50	12
PPEA-A07	25	20	26	50	12

Order Type:- Code  
Example:- PPEA-A03

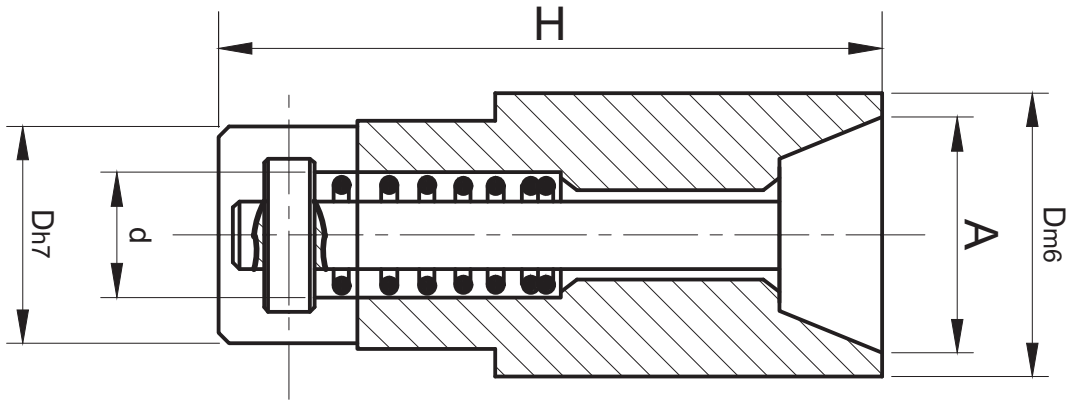
## ► Parting Lock (PPL)



Code	ØD	Ød	H	L	M	B
PPL	10	8.5	3	18	M5	4
	12	11	3.5	20	M6	5
	13	11	3.5	20	M6	5
	16	14	4	25	M8	6
	20	16	5.5	30	M10	8
	25	16	5.5	30	M10	8

Order Type:- Code x D Example:- PPL X 13

## ► Air Ejector (PPEA-B)

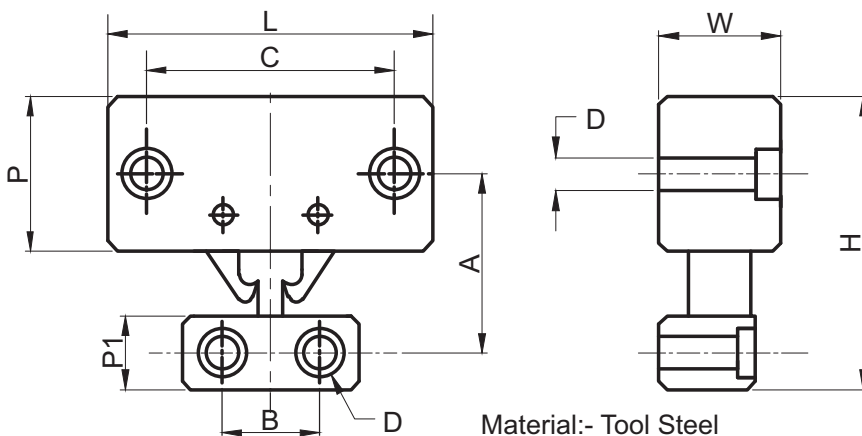


Material:- Tool Steel

Code	D	H	d	A
PPEA-B01	6	12	4.2	4.5
PPEA-B02	8	15	4.5	6
PPEA-B03	10	20	7	7.5
PPEA-B04	12	25	7.7	9
PPEA-B05	16	30	10.3	12
PPEA-B06	18	35	12	14
PPEA-B07	20	35	12.9	15
PPEA-B08	25	45	14.9	20
PPEA-B09	30	45	18	25

Order Type:- Code  
Example:- PPEA-B04

## ► Mould Latch (PPLC-A)



Material:- Tool Steel

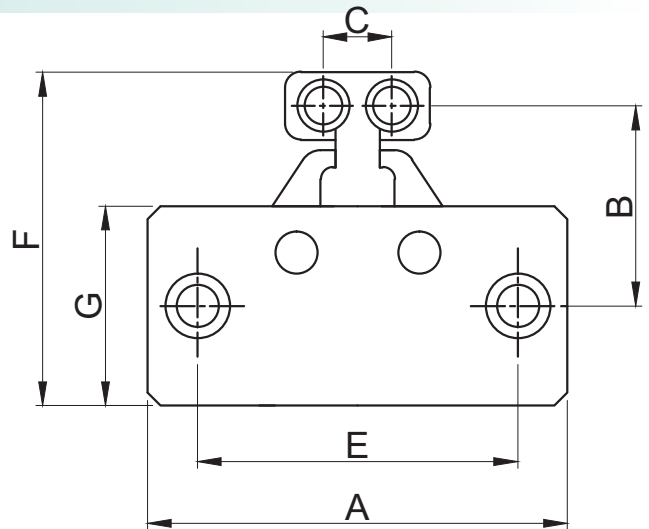
Code	Type	A	B	C	D	L	W	H	P	P1	Force(kg)
PPLC-A01	Light Duty	27.5	16	42	M6	55	22	44	25	13	45
PPLC-A02	Medium Duty	40	20	61	M8	80	28	70	38	18	110
PPLC-A03	Heavy Duty	60	30	95	M12	120	48	106	57	27	225

Order Type:- Code  
Example:- PPLC-A02

## ► Mould Latch (PPLC-B)



Material:- Casting CI-FG260



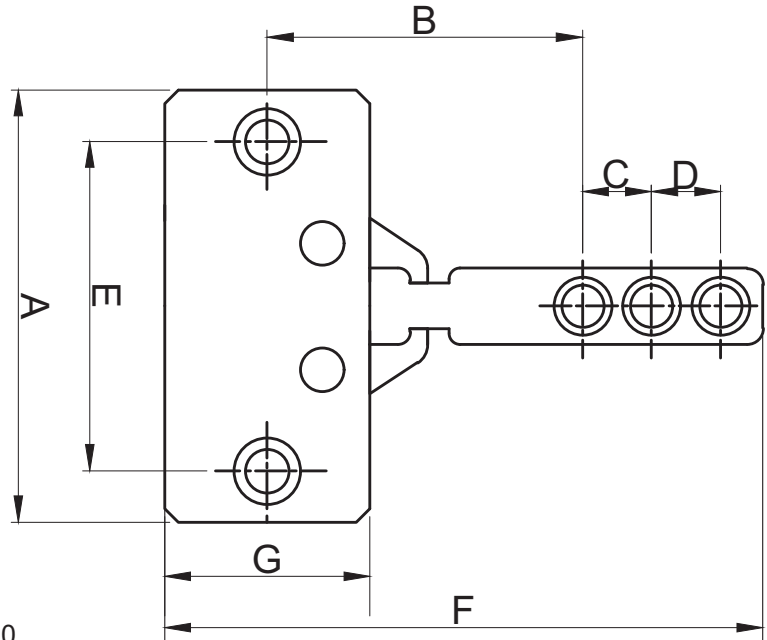
Code	Type	A	B	C	E	F	G	force(kg)	screw hole
PPLC-B01	Medium Duty	78	40	15	60	68	38	500	M8
PPLC-B02	Heavy Duty	91	58	17	72	93	51	900	M10

Order Type:- Code  
Example:- PPLC-B01

## ► Mould Latch (PPLC-C)



Material:- Body Casting CI-FG260



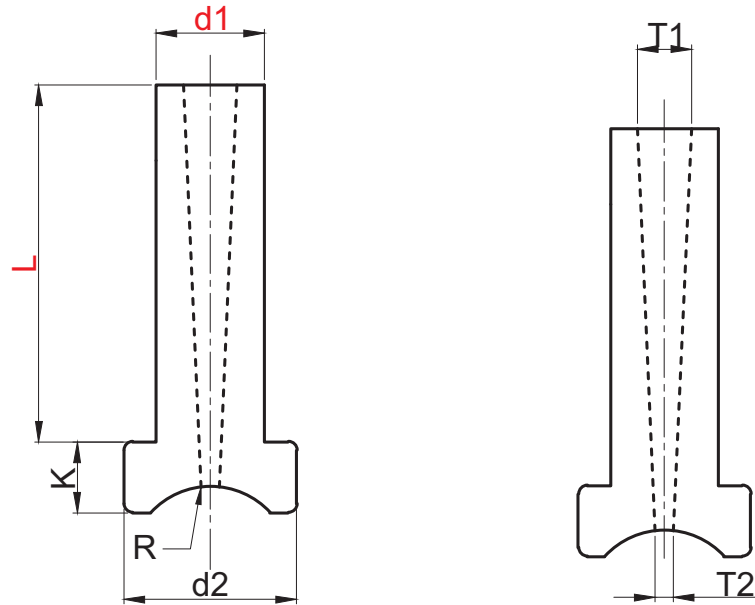
Code	Type	A	B	C	D	E	F	G	force(kg)	screw hole
PPLC-C01	Medium Duty	78	58	15	15	60	116	38	500	M8
PPLC-C02	Heavy Duty	91	73	17	17	72	142	51	900	M10

Order Type:- Code  
Example:- PPLC-C01

## ► Spure Bush (PPMSB)



Material:- Tool Steel  
Hardness:- 40-42HRC

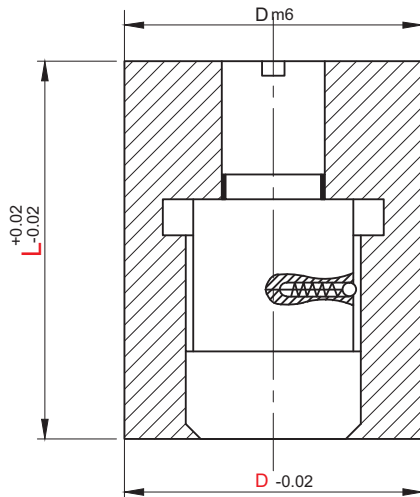


Type	d1	d2	K	R	T1	T2	Body Length (L)			
PPMSB	16	30	19	16	7.5	3.6	20 (PPMSB- 1620)	25 (PPMSB -1625)	30 (PPMSB- 1630)	35 (PPMSB- 1635)
	16	30	19	16	7.8	3.6	40 (PPMSB- 1640)	45 (PPMSB- 1645)	50 (PPMSB- 1650)	55 (PPMSB- 1655)
	16	30	19	16	8	3.6	60 (PPMSB- 1660)	65 (PPMSB- 1665)	70 (PPMSB- 1670)	75 (PPMSB- 1675)
	16	30	19	16	8	3.6	80 (PPMSB- 1680)	85 (PPMSB- 1685)	90 (PPMSB- 1690)	95 (PPMSB- 1695)
	19	34	22	20	8	4.2	20 (PPMSB- 1920)	25 (PPMSB -1925)	30 (PPMSB- 1930)	35 (PPMSB- 1935)
	19	34	22	20	8.3	4.2	40 (PPMSB- 1940)	45 (PPMSB- 1945)	50 (PPMSB- 1950)	55 (PPMSB- 1955)
	19	34	22	20	8.5	4.2	60 (PPMSB- 1960)	65 (PPMSB- 1965)	70 (PPMSB- 1970)	75 (PPMSB- 1975)
	19	34	22	20	8.5	4.2	80 (PPMSB- 1980)	85 (PPMSB- 1985)	90 (PPMSB- 1990)	95 (PPMSB- 1995)
	22	38	25	24	8.5	4.5	20 (PPMSB- 2220)	25 (PPMSB -2225)	30 (PPMSB- 2230)	35 (PPMSB- 2235)
	22	38	25	24	9	4.5	40 (PPMSB- 2240)	45 (PPMSB- 2245)	50 (PPMSB- 2250)	55 (PPMSB- 2255)
	22	38	25	24	9.5	4.5	60 (PPMSB- 2260)	65 (PPMSB- 2265)	70 (PPMSB- 2270)	75 (PPMSB- 2275)
	22	38	25	24	9.5	4.5	80 (PPMSB- 2280)	85 (PPMSB- 2285)	90 (PPMSB- 2290)	95 (PPMSB- 2295)

Order Type:- Type x d1 x L  
Example:- PPMSB x 16 x 50



## ► Mould Date Indicator (PPDI - F)



Material:- Tool Steel



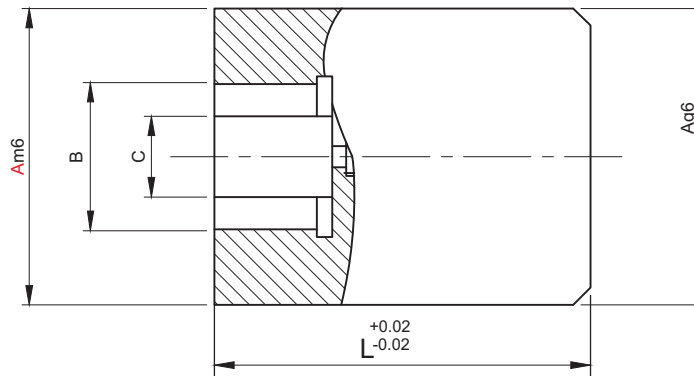
Type								
Only Month	Only Year	Month & Year	Only Days	Only Quarter	Only Week	Only Shift Numeric	Only Shift Alphabets	Only Arrow

Code	ØD m6		L					
			6	8	10	12	14	16
PPDI-F	3	(+0.012) (+0.004)	*	*	*			
	4		*	✓	✓			
	6		*	✓	✓			
	8	(+0.015) (+0.006)		*	✓	*		
	10			*	✓	*		
	12	(+0.018) (+0.007)				✓	*	
	16						✓	
	20	(+0.021) (+0.008)					*	*

Order Type:- Code x D x L (Type)  
Example:- PPDI-F x 4 x 10 (Only Year)

## ► Mould Date Indicator (PPDI-C)

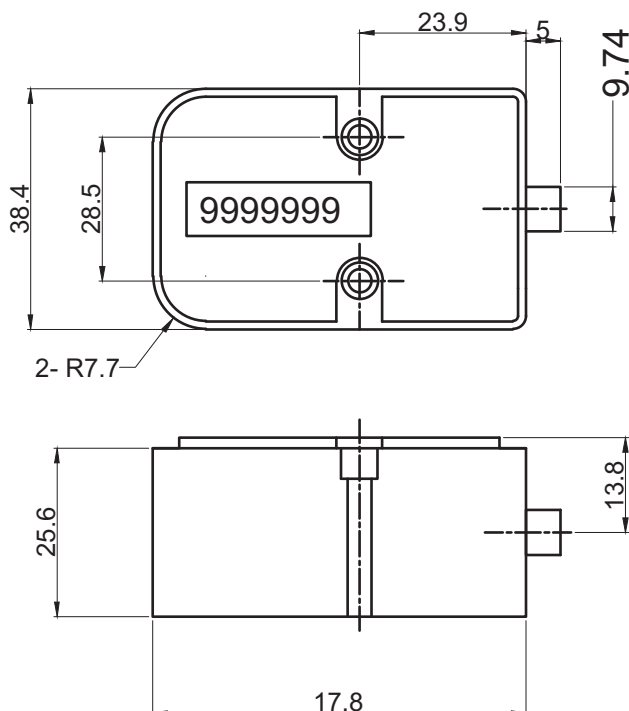


Material:- Tool Steel

Type	ØAm6		ØAg6		ØB	ØC	L
PPDI-C	8	(+0.015) (+0.006)	8	(-0.005) (-0.014)	5.8	3.6	10
	10		10		7	4	12
	12	(+0.018) (+0.007)	12	(-0.006) (-0.017)	8.5	5	14
	16		16		11.5	7	14
	20	(+0.021) (+0.008)	20	(-0.007) (-0.020)	14	8	16

Order Type :- Type x A  
Example :- PPDI-C x 8

## ► Muold Short Counter (PPMC)



Code	Screw Size
PPMC-01	M4x0.7x25

Order Type:- Code  
Example:- PPMC-01